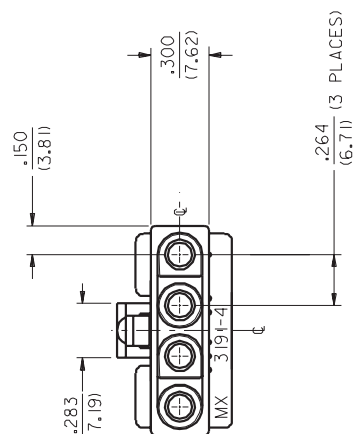
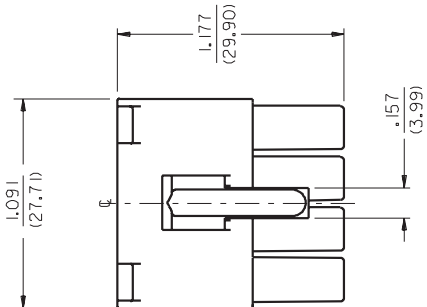
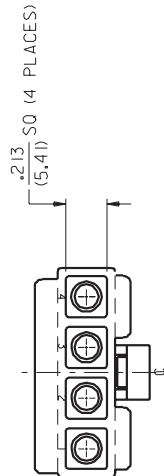
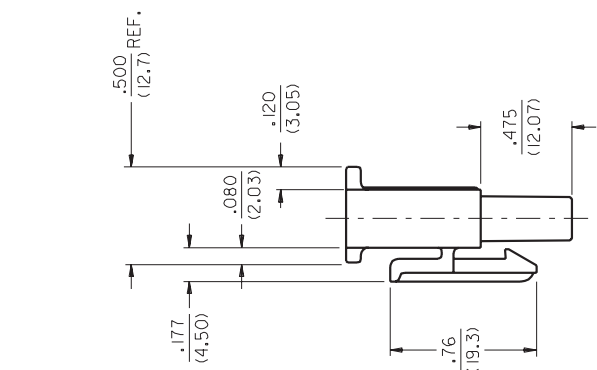


RECEPTACLE



QUALITY SYMBOLS		GENERAL TOLERANCES: (UNLESS SPECIFIED)		SCALE		DESIGN UNITS		THIRD ANGLE PROJECTION		DIMENSIONS:		SHT		REV	
MAJOR $\blacktriangle=0$		mm ± 0.1		2 : 1		mm ± 0.1		mm ± 0.1 <input checked="" type="checkbox"/> INCH ± 0.005 <input type="checkbox"/>		mm ± 0.1 <input type="checkbox"/> INCH ± 0.005 <input type="checkbox"/>		REVISION		DATE	
CRITICAL $\nabla=0$		4 PLACES ± 0.01		DRAWN BY & DATE		J. WANG 98/08/24		TITLE:		.093/(2.36) HOUSINGS		2		1	
		3 PLACES ± 0.01		CHECKED BY & DATE		B. WIRKUS 98/08/24		PLUG AND RECEPTACLE		4 CKT., .264/(6.70) CTRS		2		1	
		2 PLACES ± 0.25		APPROVED BY & DATE		R. EDGLEY 98/08/24		MOLEX INCORPORATED		MATERIAL NO.		2		1	
		1 PLACE ± 0.38		CAD FILENAME		S3191402.DGN		SEE SHT.3		DRAWING NO.		2		1	
		ANGULAR: ± 1		DRAWING NO.		S3191-4		THIS DRAWING CONTAINS INFORMATION THAT IS PROPRIETARY TO MOLEX INCORPORATED AND SHOULD NOT BE USED WITHOUT WRITTEN PERMISSION.		SHEET NO.		2		1	
DRAFT WHERE APPLICABLE MUST REMAIN WITHIN DIMENSIONS															

EC NO.	UCR1998-0254
DRWN.	J. WANG 00/06/07
CHK.	B. WIRKUS 00/06/07
APP.	R. EDGLEY 00/06/07
DESCRIPTION	

PLUG		RECEPTACLE	
PART NO.	ENG. NO.	PART NO.	ENG. NO.
19-09-2048	3191-4P	19-09-1049	3191-4R1
19-09-2049	3191-4P1	19-09-1046	3191-4R1-A
19-09-2047	3191-4P-A		
19-09-2046	3191-4P1-A		

LEGEND
 3191-4*****

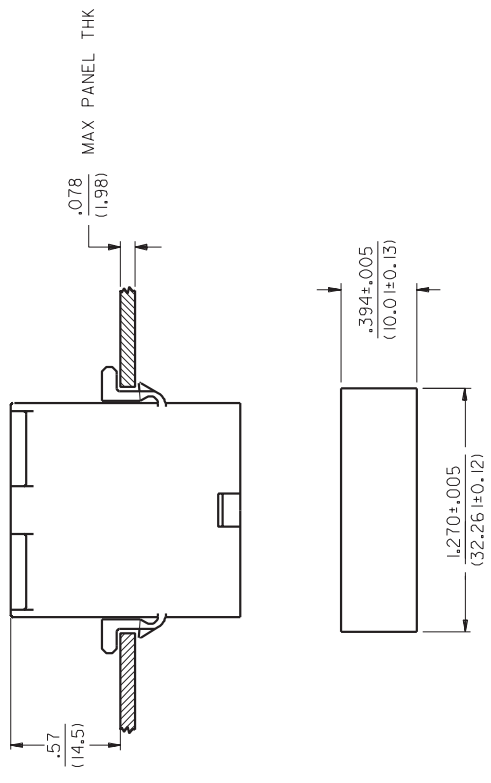
CIRCUIT SIZE

P = PLUG
 R = RECEPTACLE

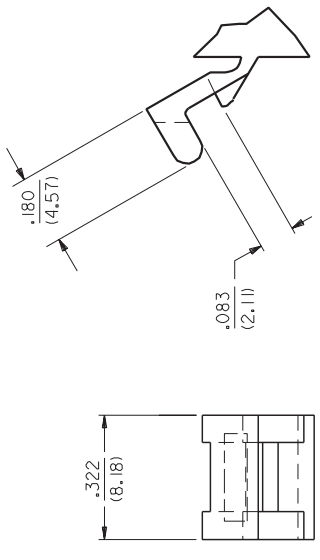
EARS: BLANK = WITH PREBENT EARS (PLUG ONLY)
 I = WITHOUT EARS

COLOR: BLANK = NATURAL COLOR
 AM=AMBER BK=BLACK BU=BLUE
 BN=BROWN GY=GRAY GN=GREEN
 OR=ORANGE RD=RED YW=YELLOW
 COLORS AVAILABLE ONLY IN 94V-2 MATERIAL

MATERIAL: BLANK=NYLON TYPE 6/6, 94V-2 COLOR:NATURAL
 A=NYLON TYPE 6/6, 94V-0 COLOR:WHITE



RECOMMENDED HOLE CUTOUT



DETAIL "A"
 .093/(2.36) PREBENT MOUNTING EAR
 (SCALE 4:1)

QUALITY SYMBOLS		GENERAL TOLERANCES: (UNLESS SPECIFIED)		SCALE		DESIGN UNITS		THIRD ANGLE PROJECTION		DIMENSIONS:	
MAJOR = 0 CRITICAL C/0		MM INCH 4 PLACES ±0.--- ±.--- 3 PLACES ±0.--- ±.010 2 PLACES ±0.25 ±.015 1 PLACE ±0.38 ±.--- ANGULAR: ± 1 0		2 : 1 DRAWN BY & DATE J.WANG 98/08/18		MM INCH DRAWN BY & DATE J.WANG 98/08/18		THIRD ANGLE PROJECTION		mm INCH mm INCH	
DESCRIPTION		APPROVED BY & DATE		CHECKED BY & DATE		APPROVED BY & DATE		TITLE:		REVISE ON CAD ONLY	
EC NO. UCR1998-0254		R.EDGLEY 98/08/18		B.WIRKUS 98/08/18		R.EDGLEY 98/08/18		.093/(2.36) HOUSINGS PLUG AND RECEPTACLE 4-CKTS., .264/(6.70) CTRS		SHT REV	
J3		MATERIAL NO.		CAD FILENAME		DRAWING NO.		MOLEX INCORPORATED		SHEET NO.	
REV		S3191403.DGN		SEE SHT.3		SD -3191 -4*		MATERIAL NO.		SHEET NO.	
DRAFT WHERE APPLICABLE MUST REMAIN WITHIN DIMENSIONS		THIS DRAWING CONTAINS INFORMATION THAT IS PROPRIETARY TO MOLEX INCORPORATED AND SHOULD NOT BE USED WITHOUT WRITTEN PERMISSION.								SIZE C	