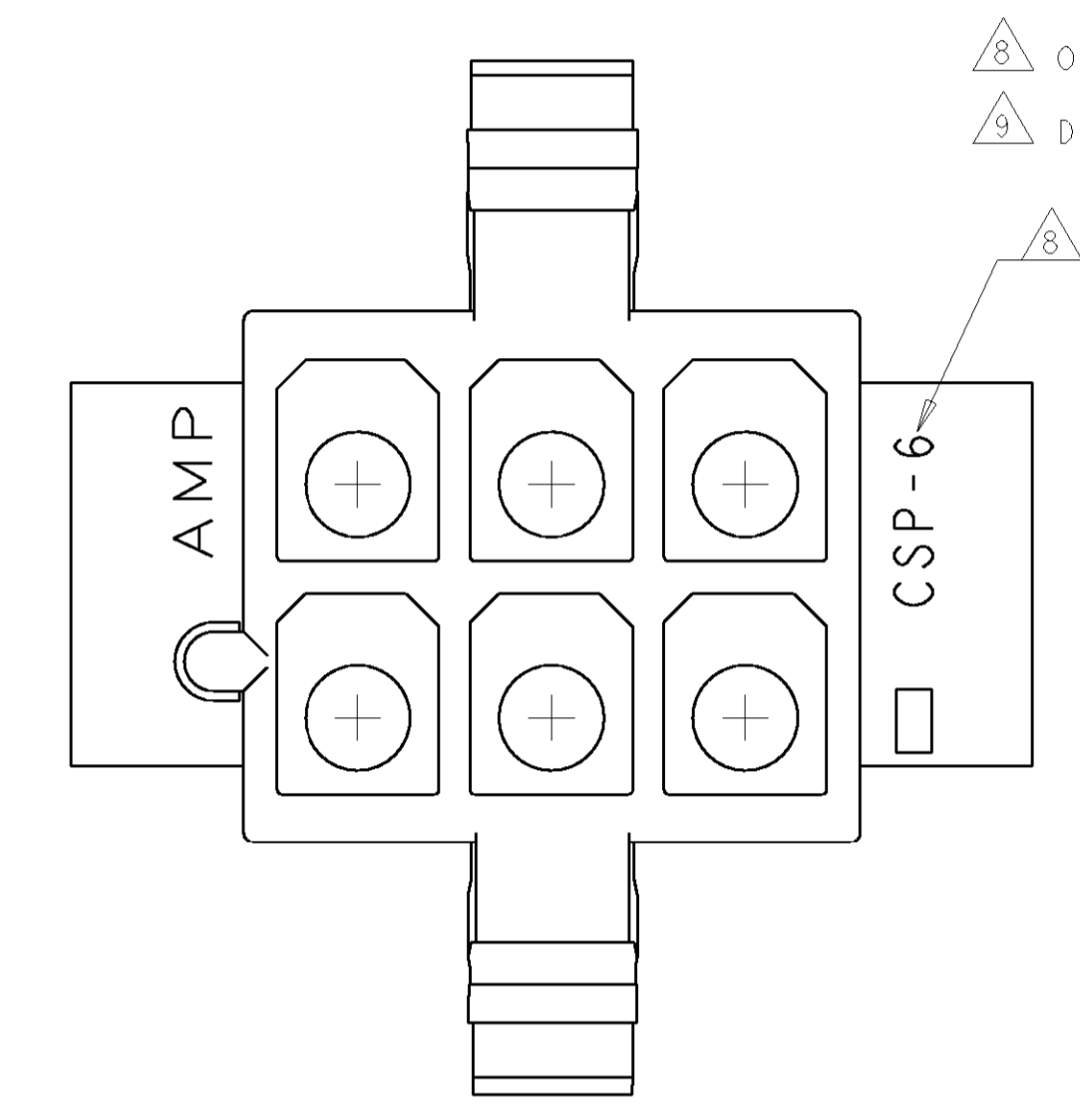
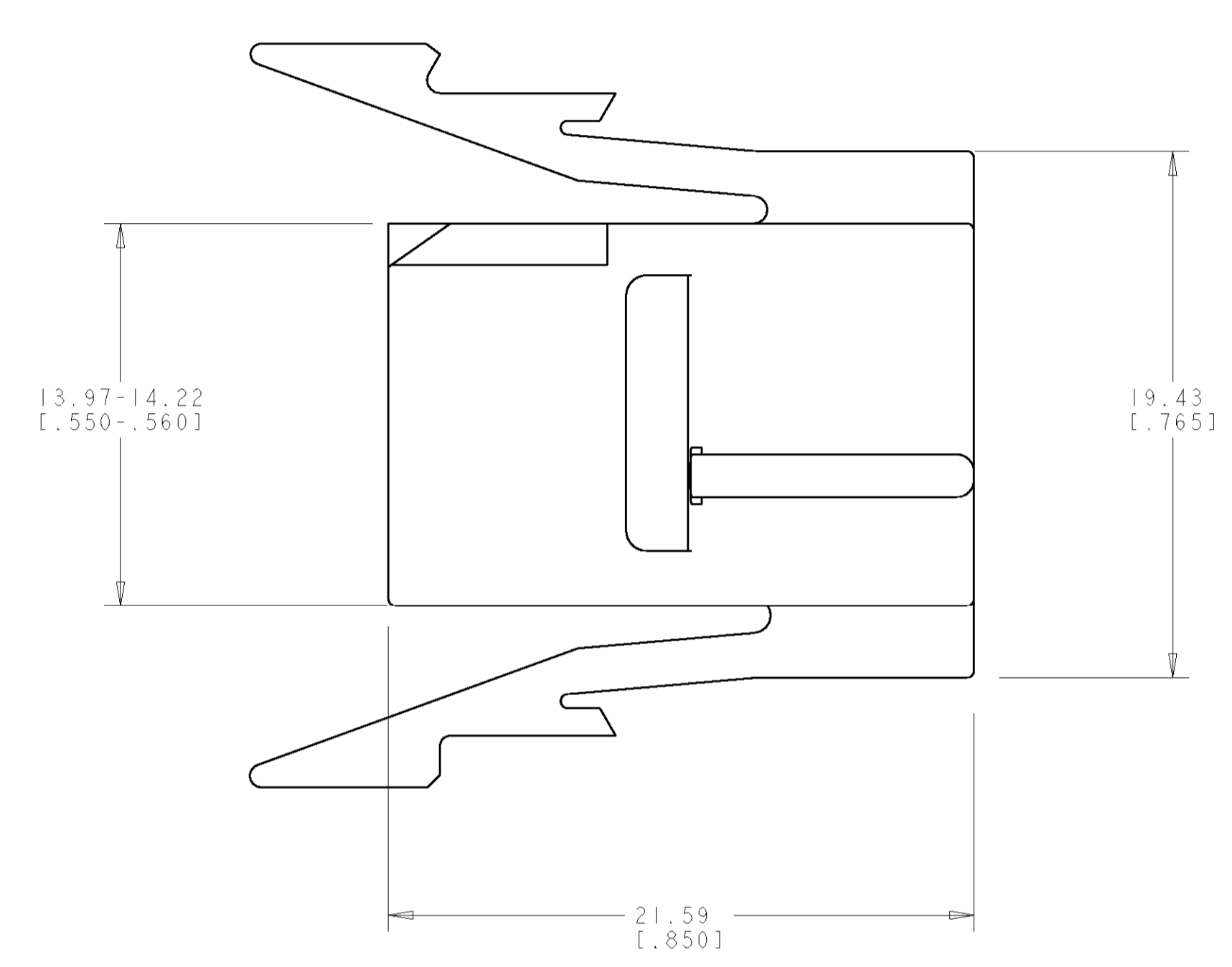
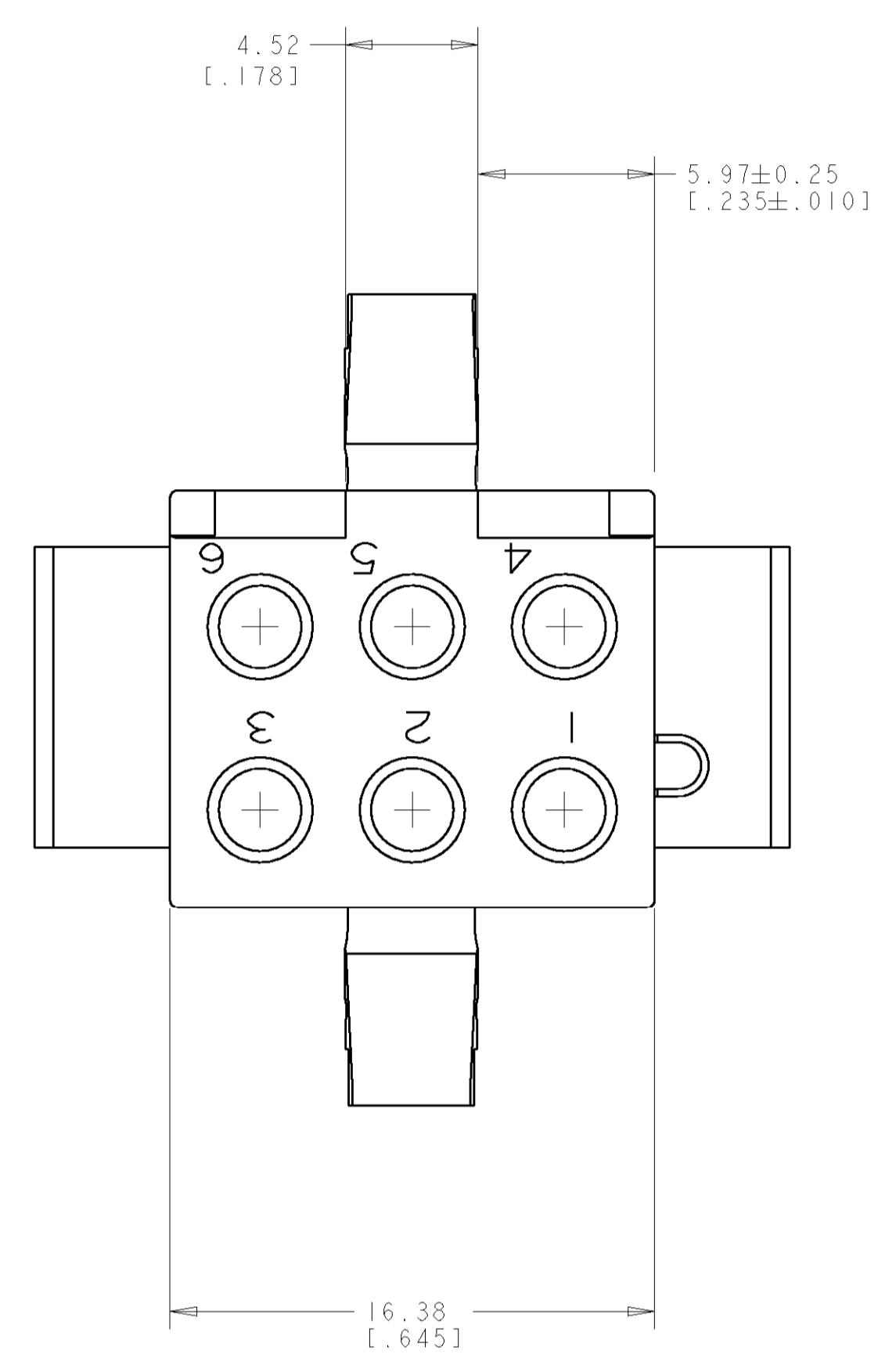
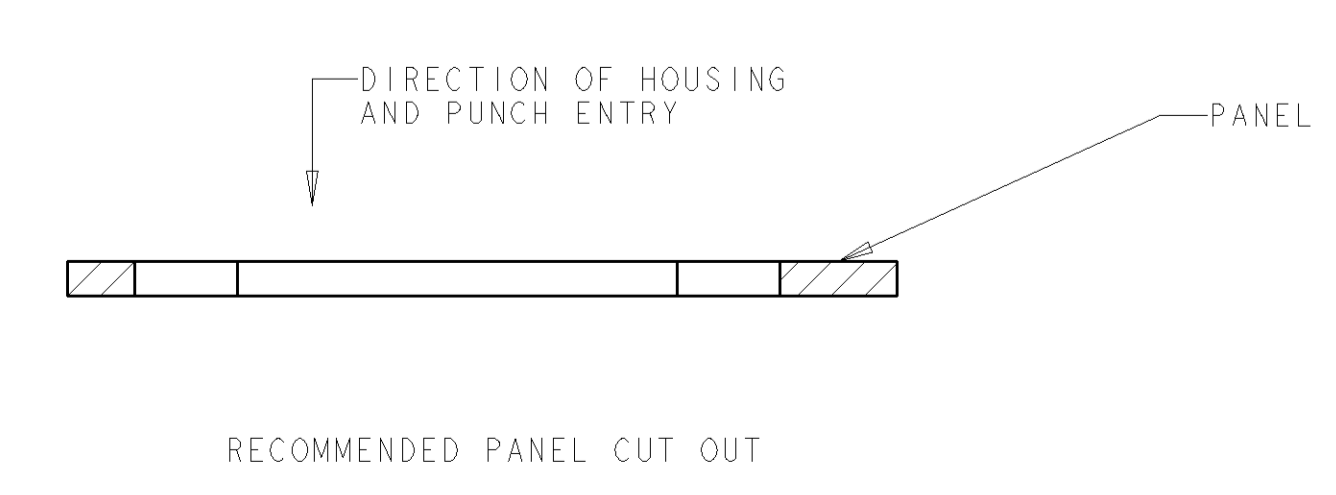
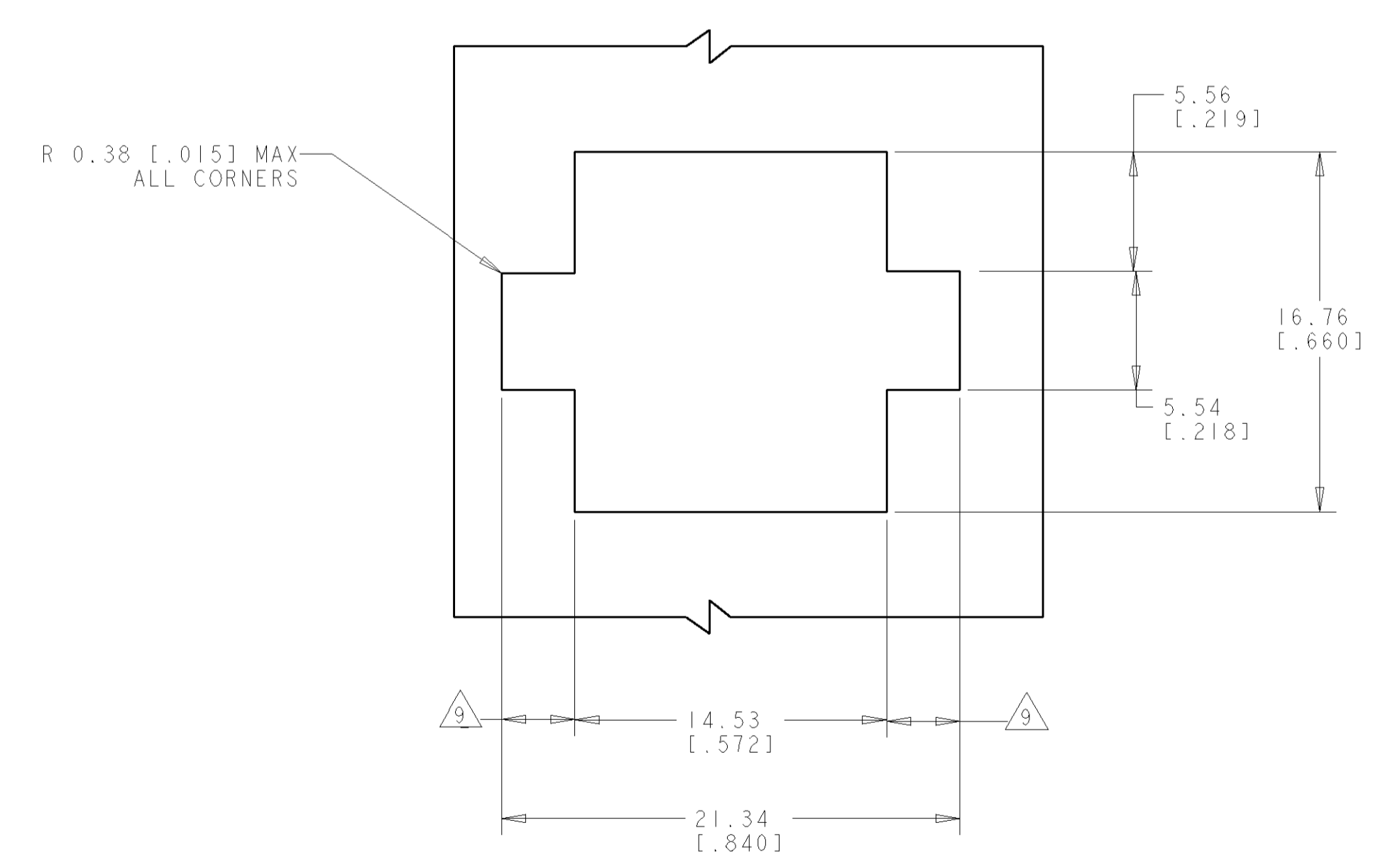


LOC		DIST		REVISIONS			
CM	00	P	LTR	DESCRIPTION	DATE	DWN	APVD
		J		REVISED PER 0638-0295-01	15FEB2002	KW	DC



1. TO BE USED WITH MATE-N-LOK™ DUAL LANCE SOCKETS.
 2. MATES WITH CAP 480693.
 3. RECOMMENDED PANEL THICKNESS 0.64-1.65 [0.025-.065].
 4. BOTH LOCKING LEGS TO BE SQUEEZED TOGETHER AND HOUSING TO BE INSERTED STRAIGHT IN, AS OPPOSED TO A ROCKING MANNER OF INSERTION.
 5. THE PANEL MUST BE PUNCHED SO THAT THE HOUSING ENTERS THE PANEL IN THE SAME DIRECTION AS THE PUNCH.
 6. PANEL MUST NOT HAVE ANY MATERIAL (PAINT, PORCELAIN, ETC.) APPLIED IN THE MOUNTING HOLE AREA THAT WOULD DECREASE RETENTION OF THE HOUSING IN THE PANEL.
 7. IF NOTES 5 AND/OR 6 ARE NOT COMPLIED WITH, THE 21.34 [0.840] DIMENSION SHOULD BE REDUCED TO 20.83 [0.820] TO ASSURE PROPER HOUSING RETENTION IN THE PANEL.
- ⚠️ 8. OPTIONAL CONSTRUCTION.
 ⚠️ 9. DIMENSIONS TO BE EQUAL WITHIN 0.13 [0.005].



DIMENSIONS: mm [INCHES]		TOLERANCES UNLESS OTHERWISE SPECIFIED:		DWN R. WHITAKER 15FEB2002		EWA D. COLEY 15FEB2002		APVD D. COLEY 15FEB2002		NAME		Tyco Electronics Harrisburg, PA 17105-3608			
9 PLC	±	9 PLC	±	PRODUCT SPEC		APPLICATION SPEC		WEIGHT		SIZE		RESTRICTED TO			
8 PLC	±	8 PLC	±0.13 [0.005]	-		-		-		A 00779 C=480690		-			
5 PLC	±	-		-		-		-		SCALE		SHEET			
4 PLC	±	-		-		-		-		5:1		1 OF 1			
ANGLES	±	-		-		-		-		REV		J			
MATERIAL NYLON				FINISH -				CUSTOMER DRAWING				SCALE 5:1 SHEET 1 OF 1 REV J			

